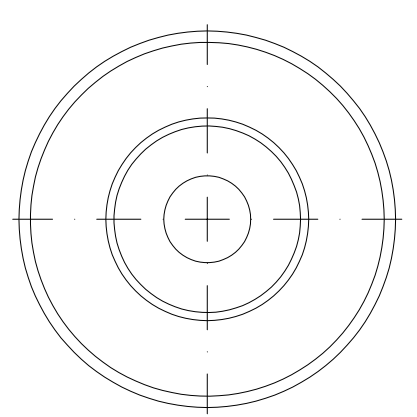


O-RING 2-211

O-RING 2-212

O-RING 2-204

1. REMOVE HANDLE
2. PULL OUT PLUG
3. UNSCREW HP BOLT
4. REMOVE HP BOLT w LEATHER
5. RETRIEVE BALL
6. UNSCREW CAP
7. PULL OUT TUBE MID
8. UNSCREW LP NUT
9. UNSCREW TUBE OUT
10. REASSEMBLE



$\phi 1.625$ PUMP
 $(0.3985 + 1.2300) / 0.50896 = 3.2:1$ CR
 2.2×14.7 PSI = 32.34 PSI = 16.46 LBS

HANDLE
 10-24x1 SOC-HD SCREW
 HANDLEMOUNT
 PLUG
 CAP
 TOP GUIDE
 HP LEATHER
 HP BOLT
 HP WASHER
 3/16 RUBBER BALL
 BALL STOP

TUBE OUT
 TUBE MID
 TUBE CEN

O-RING 2-204
 BRAZE NUT
 LP LEATHER
 LP NUT

PAD
 BASE
 1/4x1.375 DOWELL
 BASEBAR

ASSYINST